

## GA4 Standard Compartment Lock

### Features

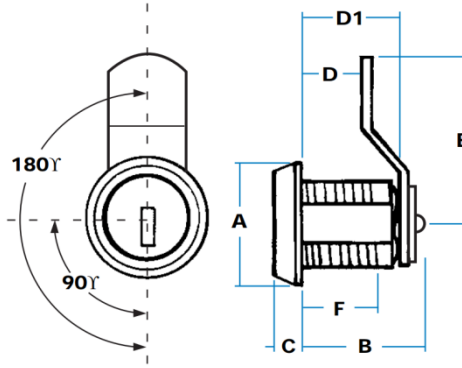
- Identical in most details to the 'deluxe' models, these locks have a simplified specification which enables them to be installed without dismantling cam pawl
- Standard housing length 19 mm
- Available in 90° or 180° rotation models. For 90° models, key does not withdraw in unlocked (9 o'clock) position

### Material

- Steel, chromium plated

### Notes

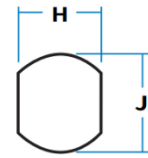
- 'FS' keys as standard with 'shuttered' keyway. Optionally 'FT', '92' or 'DLP' key types also available
- Cam pawl reversible, can be fitted at 45° intervals
- Wide choice of cam pawls, finish options and accessory items available



For clarity, retaining nut is not shown



GA4-G00103



| Part No.   | Rotation | Key Type | A  | B  | C | D  | D1 | E  | F  | H    | J  |
|------------|----------|----------|----|----|---|----|----|----|----|------|----|
| GA4-G00107 | 90°      | Mixed    | 26 | 27 | 6 | 11 | 19 | 37 | 15 | 17.5 | 20 |
| GA4-G00103 |          | FS880    |    |    |   |    |    |    |    |      |    |
| GA4-G00108 | 180°     | Mixed    | 26 | 27 | 6 | 11 | 19 | 37 | 15 | 17.5 | 20 |
| GA4-G00105 |          | FS880    |    |    |   |    |    |    |    |      |    |

## GA4 Short Body Compartment Lock

### Features

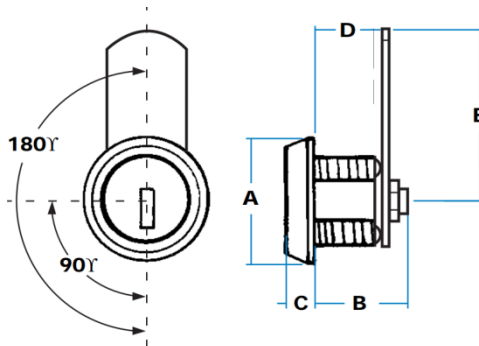
- Use these locks where depth is restricted, since body length is 7 mm less than standard. It can be further reduced with optional moulded spacer under head.
- Available in 90° or 180° rotation models. For 90° models, key does not withdraw in unlocked (9 o'clock) position

### Material

- Steel, chromium plated

### Notes

- 'FS' key only, with 'shuttered' keyway
- Cam pawl reversible, can be fitted at 45° intervals



GA4-G22931

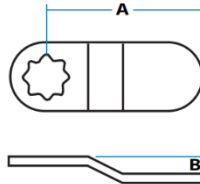
| Part No.      | Rotation | Key Type | A  | B  | C | D  | E  |
|---------------|----------|----------|----|----|---|----|----|
| GA4-G22932    | 90°      | Mixed    | 26 | 20 | 6 | 13 | 35 |
| GA4-G22932-01 |          | FS880    |    |    |   |    |    |
| GA4-G22931    | 180°     | Mixed    | 26 | 20 | 6 | 13 | 35 |
| GA4-G22931-01 |          | FS880    |    |    |   |    |    |

## Cam Pawl Options for Compartment Lock Series

### Features

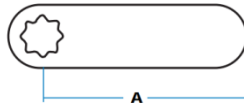
- These are some of the more commonly-used latch bars for our compartment lock range. All are made in mild steel, 15 mm x 2.2 mm, and zinc-plated, with an 8-sided hole to accept 8 mm-square drive (unless otherwise noted). All are reversible.
- Standard lock models are normally fitted with the 'cranked' pawl (**G01906**) or the 'straight' pawl (**G03640**). However, any of these options can be provided on request, and special pawls made-to-order where volumes are appropriate
- A range of 3 mm heavy-duty bars with raised cam-form is also available and is shown separately

### Cranked Latch Pawl



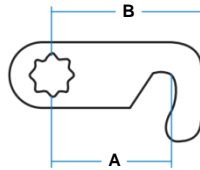
| Part No.      | A  | B |
|---------------|----|---|
| <b>G01906</b> | 36 | 8 |
| <b>G00033</b> | 30 | 4 |

### Straight Latch Pawl



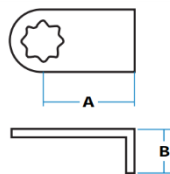
| Part No.      | A  |
|---------------|----|
| <b>G00526</b> | 23 |
| <b>G03640</b> | 35 |
| <b>G35232</b> | 51 |
| <b>G00458</b> | 76 |

### Hooked Latch Pawl



| Part No.      | A  | B  |
|---------------|----|----|
| <b>G23563</b> | 24 | 32 |
| <b>G00509</b> | 30 | 36 |

### Plunger Type Latch Pawl



| Part No.      | A  | B  |
|---------------|----|----|
| <b>G00960</b> | 8  | 14 |
| <b>G02051</b> | 10 | 13 |
| <b>G01907</b> | 13 | 17 |
| <b>G00474</b> | 10 | 30 |

### Special Latch Pawl



Note: These latch bars have 4-sided hole only

